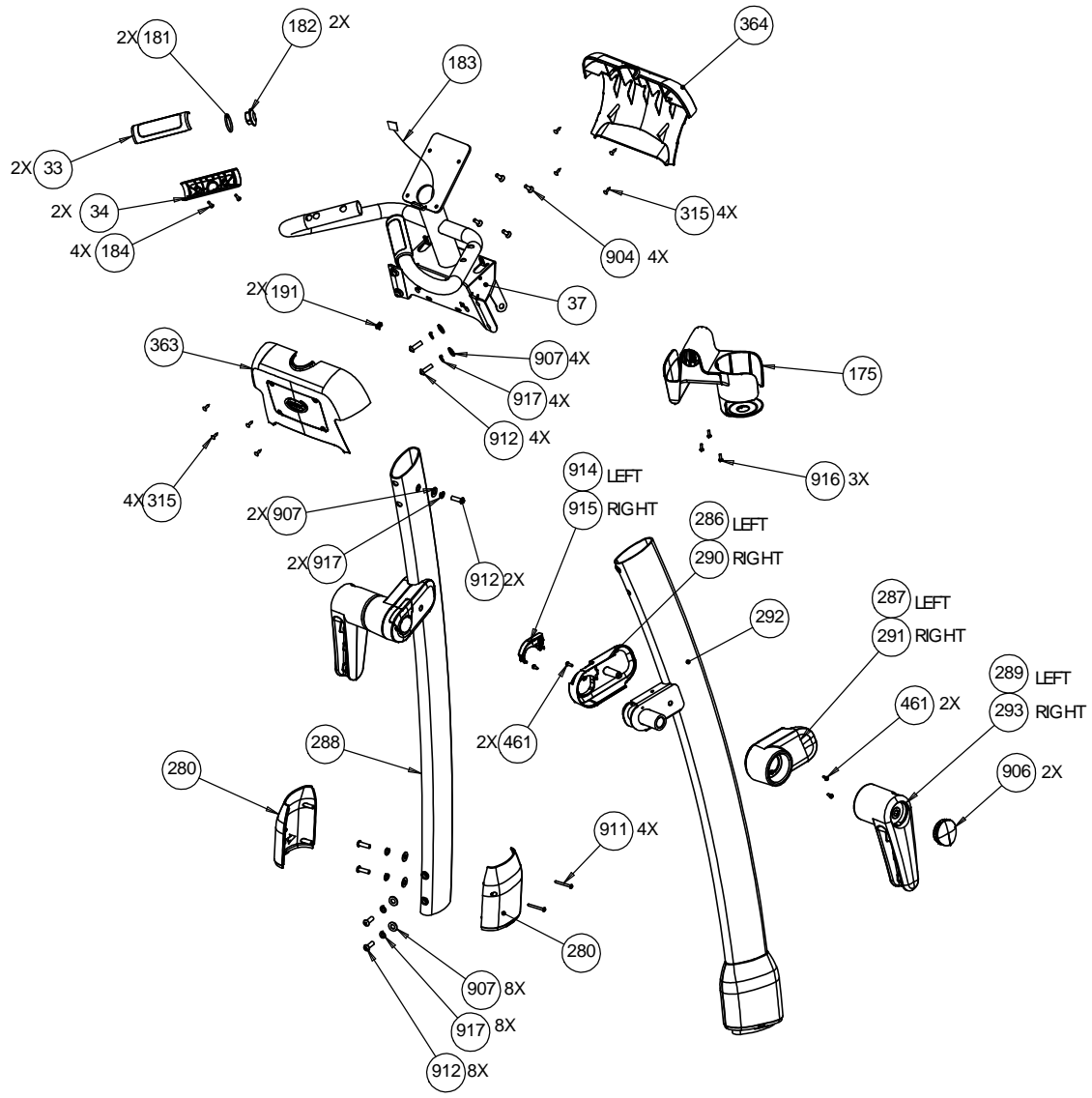
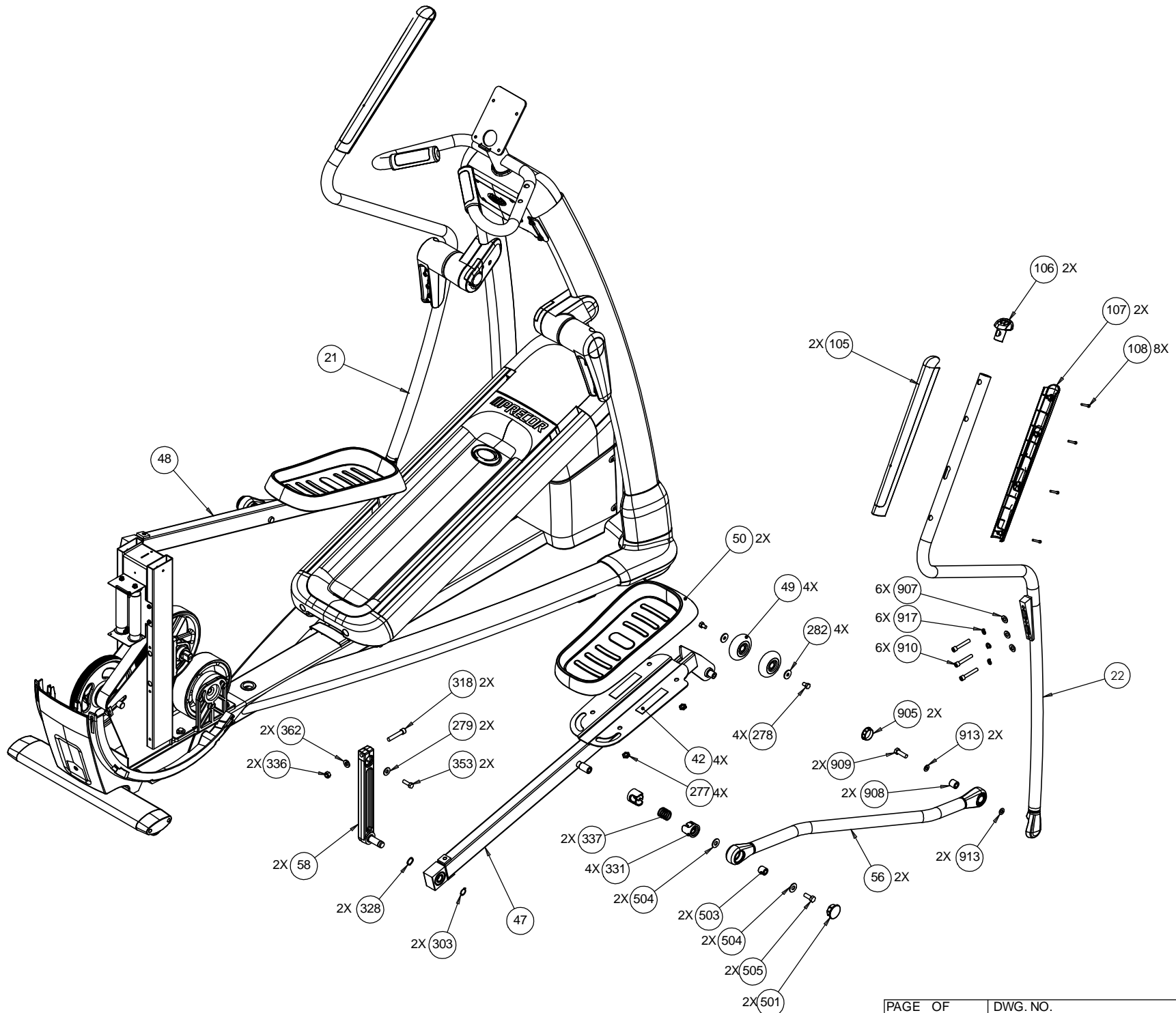


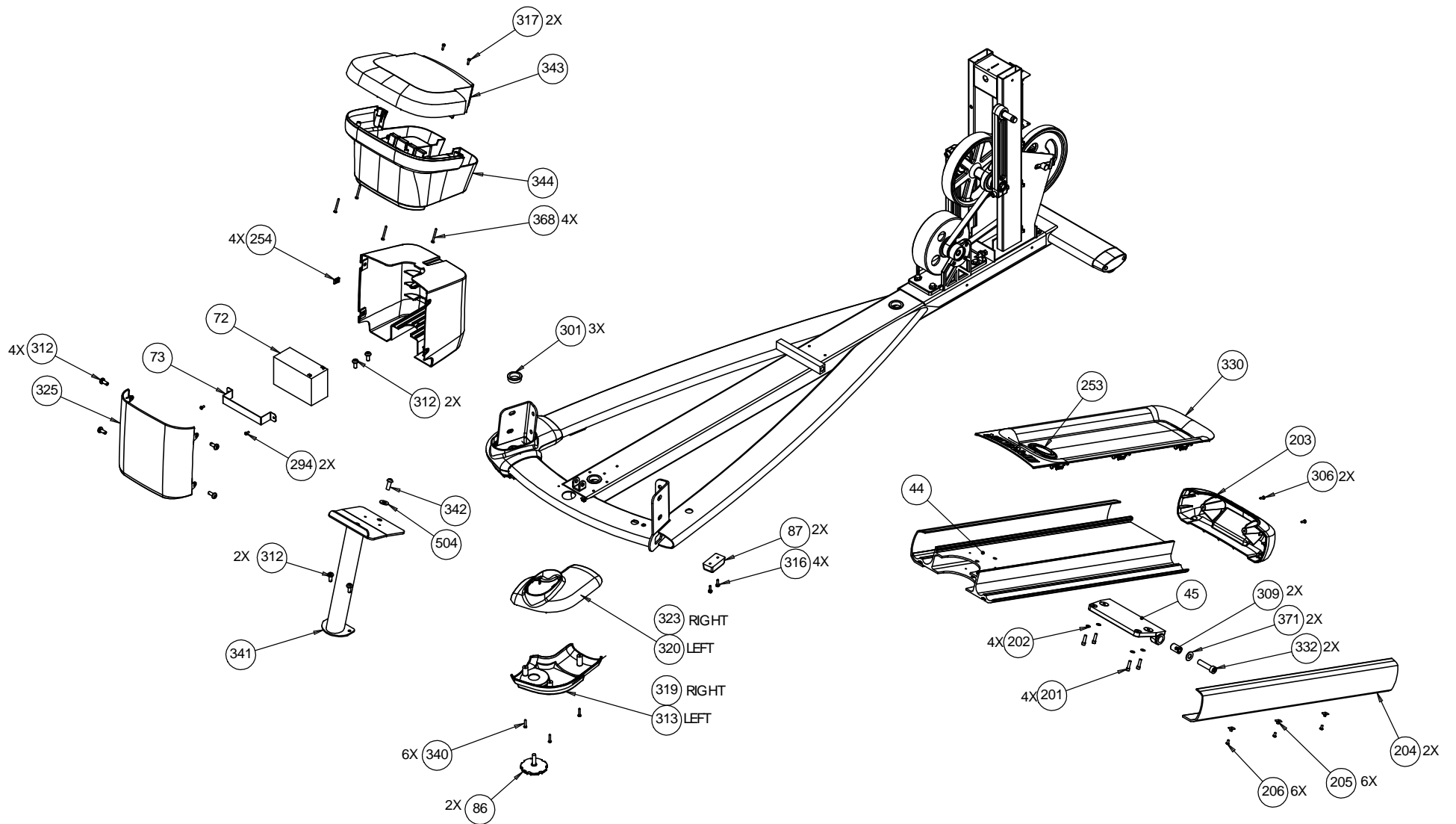
NOTES:

1 WHEN ORDERING BUBBLE #308, UNITS BUILT BEFORE 9/26/2011 MUST REMOVE WASHER AND E-RING (NO LONGER SHOWN), BOTH SIDES, PRIOR TO INSTALLATION.

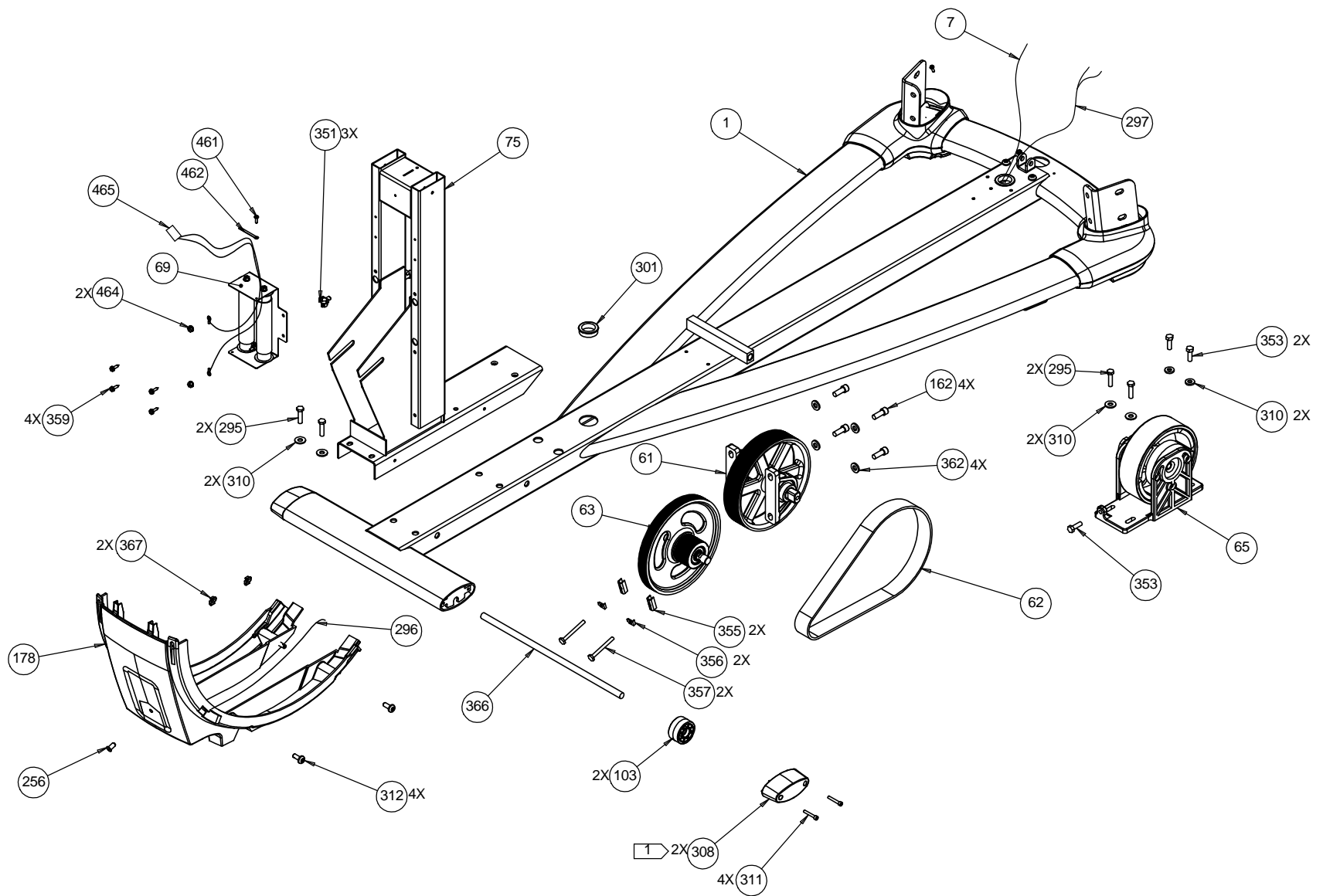
EFX 821/PVS15	P/N : 300823-101	SUBREV : M
DRAWN BY : WDC	DATE : 02.25.13	SHEET 1 OF 9

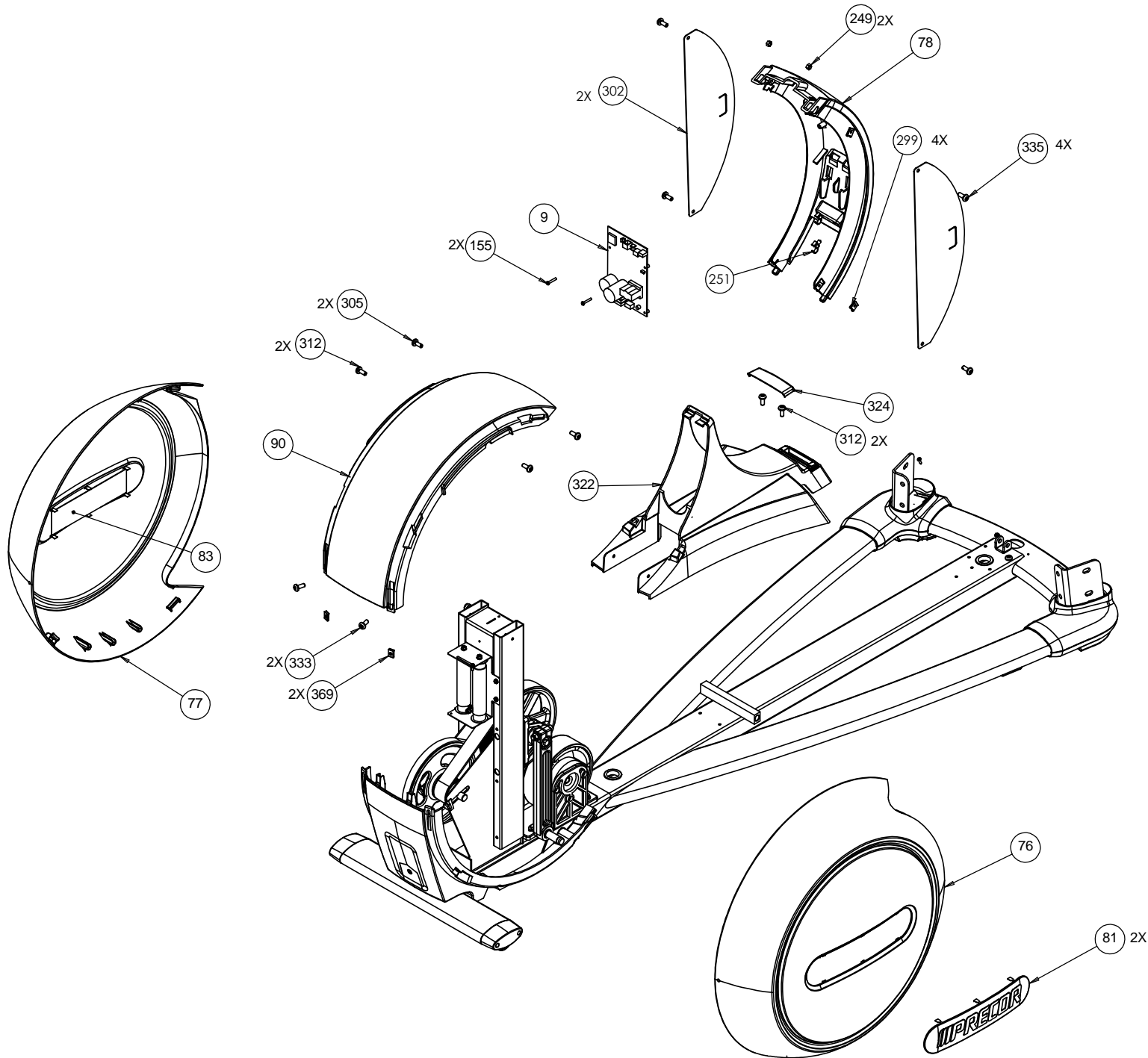


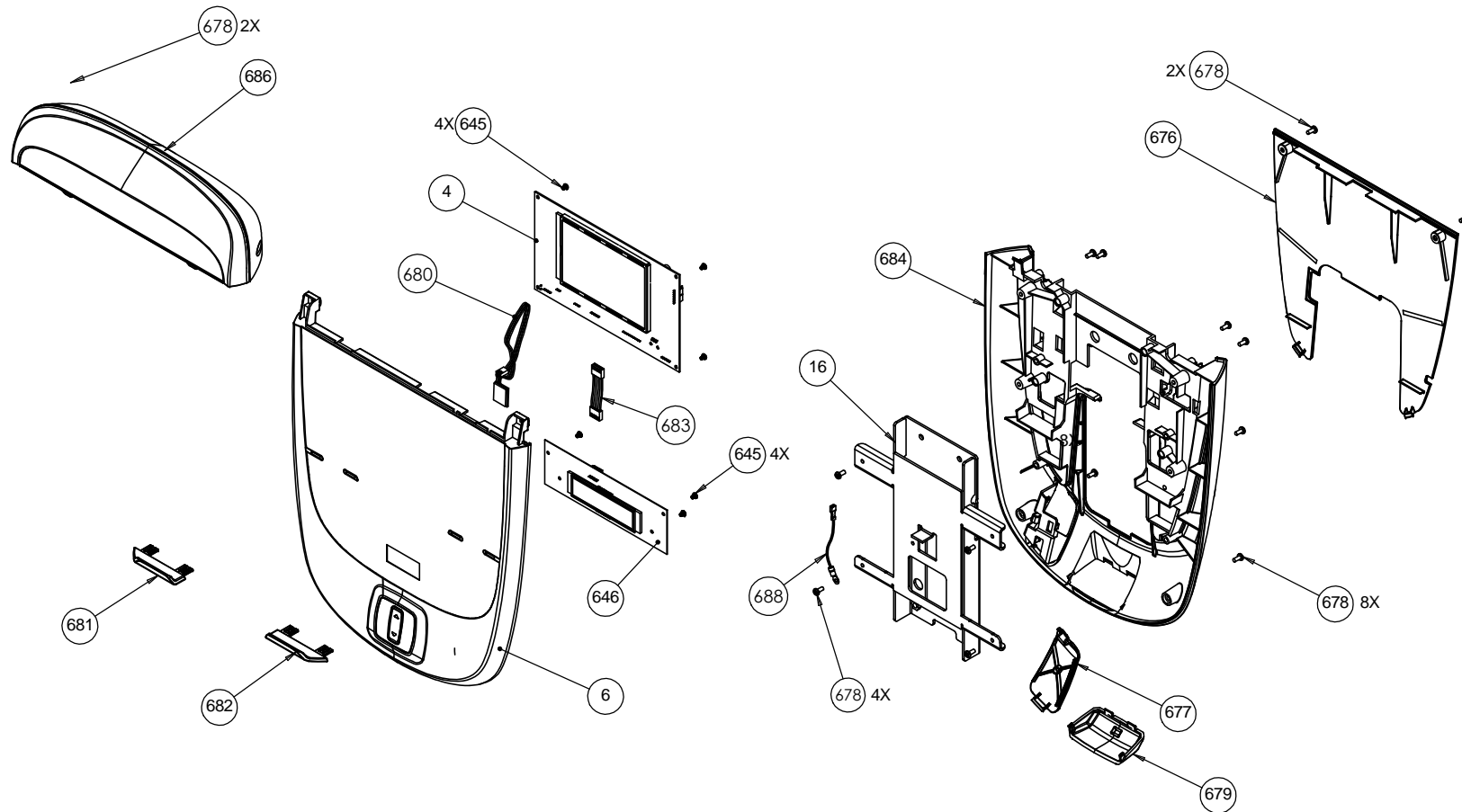


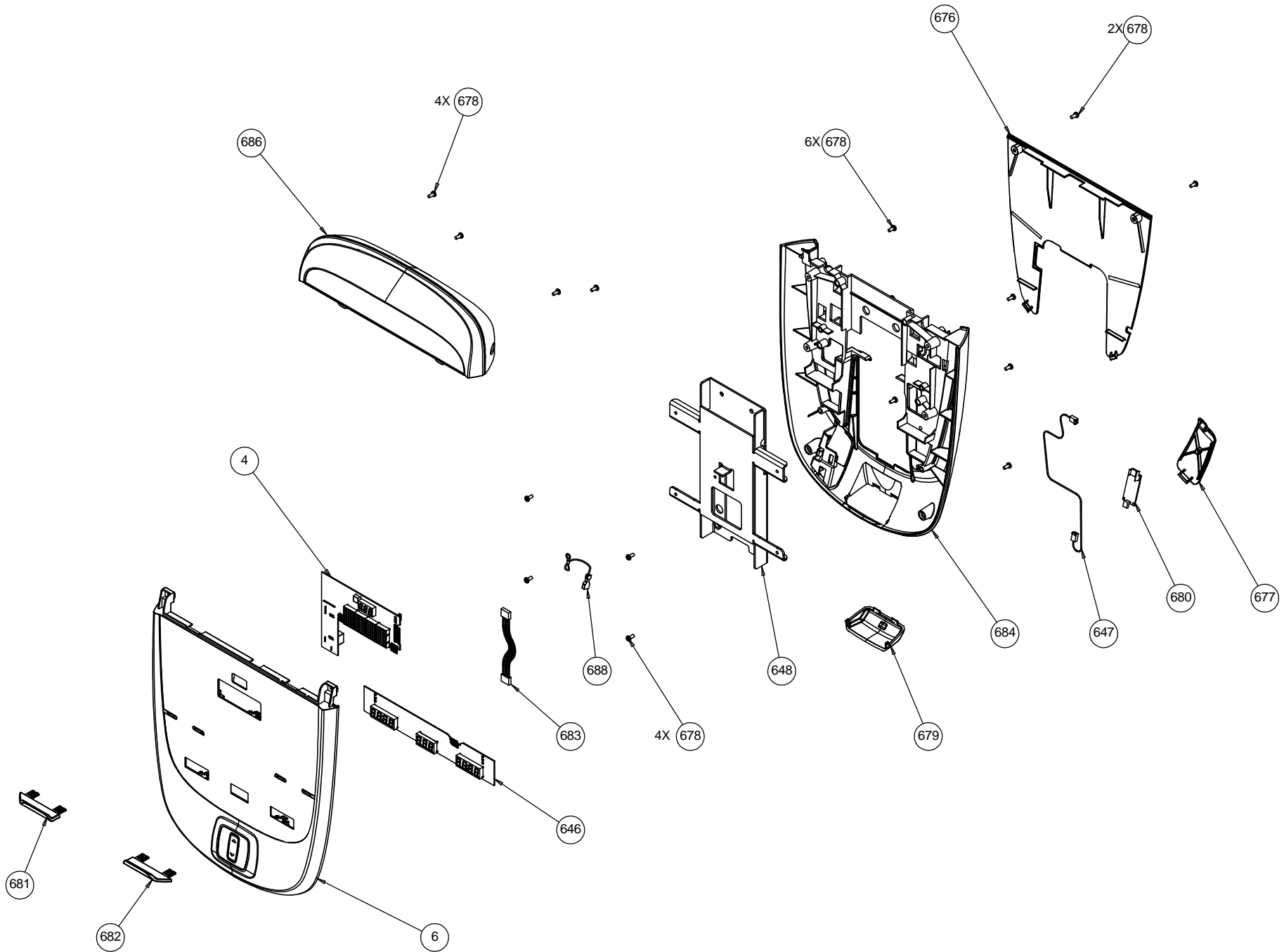






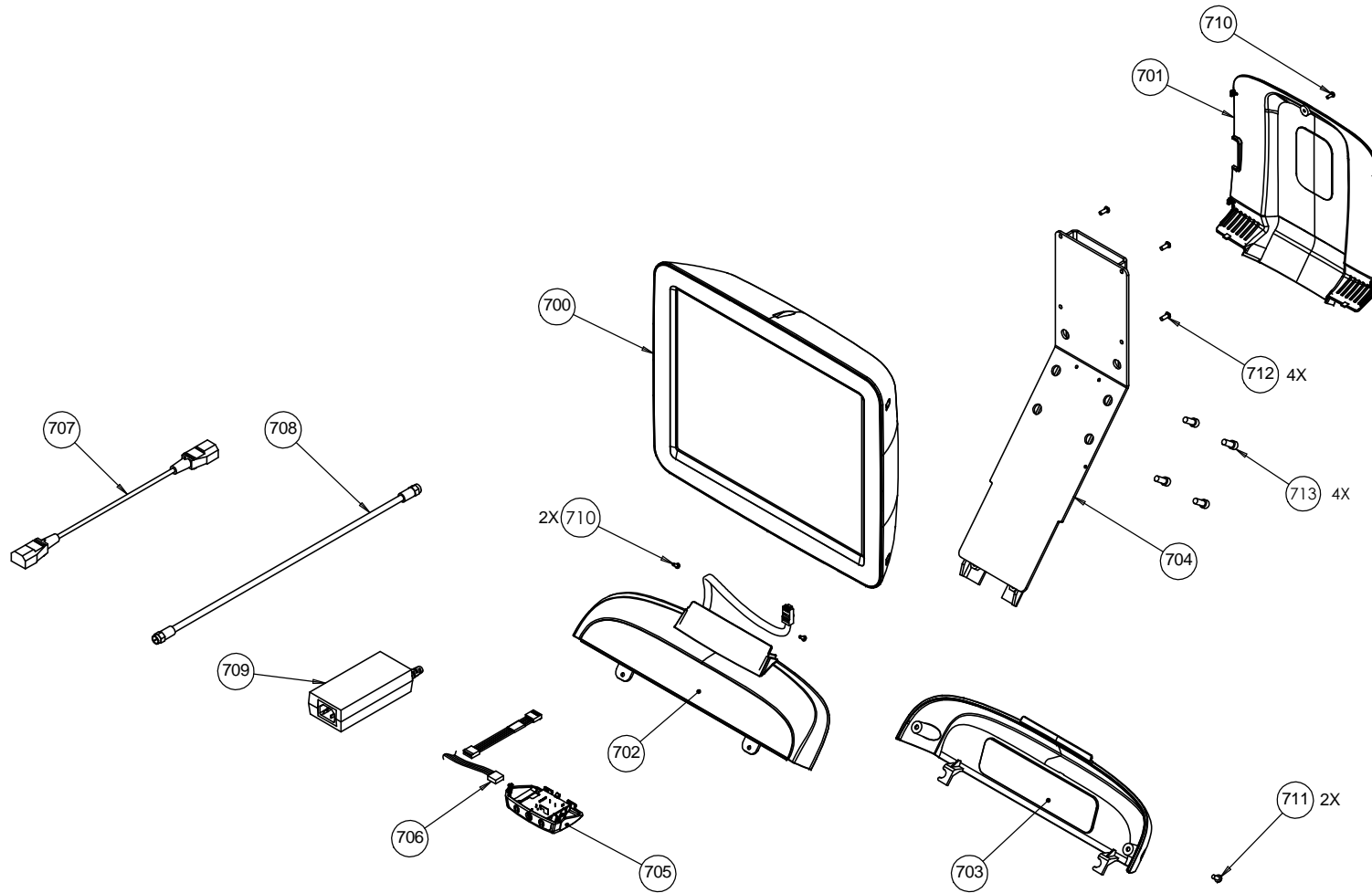






**EFX 811 ONLY**

PAGE OF	DWG. NO.	SUBREV
8 9	300823-101	M



**IG ARMS, FIXED RAMP (serial code AMXC, AZAB)**

<b>Part Number</b>	<b>Description</b>	<b>Bubble Number</b>
44905156	ASSY,CBL,MOD,8P8C,1-1,SILVER,156"	8
49443102	ASSY, LOWER PCA & SW, LCSPAM EFX, 6	9
39766107	ASSY, HANDLEBAR, LH, MOVEABLE,PACIF	21
39766108	ASSY, HANDLEBAR, RH, MOVEABLE,PACIF	22
42713102	HHR SENSOR, TOP	33
42714102	HHR SENSOR, BOTTOM	34
300260102	WELDMENT, DISPLAY MOUNT, EFX10	37
39874101	DOUBLE ADHESIVE FOAM TAPE 1" X 4" X 1/8"	42
58120101	KIT, ASSEMBLY, RAMP, EFX, SHIPPER	44
39779102	ASSY, RAMP PIVOT	45
50589104	ASSY, STAIRARM, C556/C576I, RIGHT,	47
50589103	ASSY, STAIRARM, C556/C576I, LEFT, S	48
48336101	WHEEL, OVERMOLDED, BLACK	49
57055103	EFX PEDAL/TAPE KIT, PAC. BLUE EFX'S	50
39768102	ASSEMBLY, LINK, TOTAL BODY	56
39833102	ASSEMBLY, CRANK ARM, COMMERCIAL, 10	58
58096101	KIT, ASSEMBLY, DRIVE INPUT SHAFT WI	61
10217138	BELT, DRIVE, 360J16 POLY V	62
45974101	ASSY, STEP-UP, 17:1 DRIVE, EFX	63
10217139	BELT, DRIVE, 460J8 POLY V	64
50595101	KIT, GENERATOR, 6 PHASE W/PRESSED ON	65
39769102	ASSEMBLY, RESISTOR W/MINI-FIT CABLE	69
12258070	BATTERY, SLA, 12V, 7AH, .187 TABS	72
39820102	BRACKET, BATTERY MOUNT, C556I RX,	73
39701103	DRIVE WELDMENT, C576I	75
39731104	ASSEMBLY, SIDE COVER, RH, PACIFIC	76
39731103	ASSEMBLY, SIDE COVER, LH, PACIFIC B	77
39792102	LABEL, EFX COVER, REAR, NEW LOGO	81
40121102	LABEL, WIRING DIAGRAM, EFX (W/ P80,	83
303093101	FOOT, ADJUSTING, NO LOGO, WITH LOCK NU	86
31074104	FOOT, FIXED,	87
39868102	ASSY, REAR COVER, TOP, PACIFIC BLUE	90
39744102	WHEEL, TRANSPORT, MOLDED	103
39845203	FRONT, HANDGRIP, OVERMOLDED, PACIFI	105
39844104	CAP, HANDGRIP, PACIFIC BLUE	106
39846203	BACK, HANDGRIP, OVERMOLDED, PACIFIC	107
CCNN016113	SCREW, SKHD, 8-32X1.125L, SS	108
MGCN016100	MACHINE SCREW, 8-32 X 1, PAN HEAD	155
49364101	ASSY, WATER BOTTLE HOLDER	175
39819103	ASSEMBLY, REAR COVER BOTTOM, PACIFIC	178
10115113	O-RING, ROUND, 1.25ID X .139	181
42730101	PLUG, HHR, HANDLE BAR END	182

47342045	ASSY, CABLE, HHHH PCA TO GRIP, W/SH	183
TCNN016075	SCREW, BTHD, 8-32X.75,SS	184
12628101	INSERT, SQUARE, NYLON	191
300450102	HARDWARE KIT, EFX10,MOVEABLE ARM,FI	200
CATN025088	SCREW,SKHD,1/4-20X7/8,BLK SHARPERIZ	201
WPNN026003	WASHER, FLAT, .255 X .468 X .029, S	202
39741102	RAMP END CAP, REAR, SILVER GRAY	203
39778101	CHANNEL, RAMP, EFX	204
39850101	T-NUT	205
TBTN019038	SCREW,BTHD,10-32X3/8,BLK SHARPERIZE	206
KMCN038034	NUT, HEX, 3/8-16, ZINC	216
KAENN025024	NUT,HEX,1/4-20,NYLON	249
12515101	CLAMP, CABLE, BLACK, RELEASABLE ON	251
39806102	LABEL, SIDE ELIPTICAL,REXAPEX	253
10136103	CLIP,U TYPE, TINNERMAN, 1/4-20	254
39727102	REX BOTTOM COVER, REAR, PACIFIC BLU	255
48486102	RIVET,PLASTIC, CHRISTMAS TREE, .50	256
12647101	PALNUT, SELF THREADING NUT, REG. TY	277
HECE031050	SCREW, HEX, 5/16-18 X 1/2, ZINC	278
WCCN031008	WASHER, FLT, 5/16X.875X.083	279
39873102	ASSY, TARGA BOOTS,SILVER GRAY	280
WNNN032009	WASHER,FLT, .321X1.00X.090 THK	282
39747105	PIVOT COVER, INNER, LH, SILVER GRAY	286
39747106	PIVOT COVER, OUTER, LH, SILVER GRAY	287
39761105	WELDMENT, UPRIGHT, LH,PT	288
39788105	ASSY, MAIN PIVOT, LEFT	289
39747107	PIVOT COVER, INNER, RH, SILVER GRAY	290
39747108	PIVOT COVER, OUTER, RH, SILVER GRAY	291
39761106	WELDMENT, UPRIGHT, RH,PT	292
39788106	ASSY, MAIN PIVOT, RIGHT	293
MGCN016038	SCREW,MCH,8-32X3/8,PANHD,PHIL,	294
HCCN031125	SCREW,HEX,GR 5,5/16-18X1.25,ZN	295
47840033	CBL, 2C,16 AWG, MINI-FIT PLUG/250 X	296
45334080	ASSY,CBL,18AWG,FLAG QC CONN,80"	297
10136101	CLIP, U TYPE, TINNERMAN, #8	299
10178112	BUSHING, SNAP	301
301813101	COVER, REAR CURTAIN	302
ABHN017001	RING, RETAINER, EXTERNAL	303
PMTN016050	SCREW,TCS,#8X1/2,PHIL,BLK SHARPERIZ	306
39786104	WHEEL, COVER, REAR, SILVER GRAY	308
43798103	SHAFT, PIVOT BLOCK, C5X6-NC	309
WCCN031008	WASHER, FLT, 5/16X.875X.083	310
WBANN034013	WASHER,FLAT,ID=11/32,OD3/4,TH=.125,	310
CAMN019125	SCREW, SKHD,10-24 X 1.25,ZN (MECH P	311

PANTN025050	SCREW,S/T,#1/4-20X1/2,PANHD,PHIL,TR	312
39816103	TARGA BOOT, LOWER,LEFT, SILVER GRAY	313
PGTN016063	SCREW,S/T,#8X5/8,TRS,PHIL,BLK SHARP	315
<b>PKCN019075</b>	SCREW,S/T,#10X.75,WSHHXHD,ZN	316
PMTN016050	SCREW,TCS,#8X1/2,PHIL,BLK SHARPERIZ	317
CAMN038200	SCREW,SKHD,3/8-16X2,ZN (MECH PLATIN	318
39816108	TARGA BOOT, LOWER,RIGHT, SILVER GRA	319
39817105	TARGA BOOT, UPPER, LEFT, SILVER GRA	320
39729103	REX WEDGE, REAR, PACIFIC BLUE	322
39817106	TARGA BOOT, UPPER, RIGHT, SILVER GR	323
39730102	REAR COVER ACCESS, PACIFIC BLUE	324
39734102	LIFT PEDESTAL, FRONT, PACIFIC BLUE	325
39784104	ASSY, LIFT PEDESTAL,REAR,PACIFIC BL	327
<b>WAGNN062001</b>	WASHER, WAVE, .87 OD X .62 ID	328
39791102	ASSY, RAMP, CENTER COVER,PACIFIC BL	330
39843104	SPACER, LOWER LINK, MOLDED	331
CAMN050200	SCREW, SKHD, 1/2-13 X 2.00, CLEAR M	332
PANTN025075	SCREW, SELF TAPPING, 1/4-20 X 0.75,	333
PGTN016063	SCREW,S/T,#8X5/8,TRS,PHIL,BLK SHARP	335
<b>KDCN038034</b>	LOCKNUT, FULL, 3/8-16, BLK ZN	336
48529101	SPRING, LINK ARM	337
<b>PMTN016088</b>	SCREW,TCS,#8X7/8,PHIL,BLK SHARPERIZ	340
39829101	WELDMENT, RAMP SUPPORT, PAINTED	341
TFTN038100	BHCS,3/8-16 X 1.00,FULLTHREAD,STL,B	342
39735102	CAP, LIFT PEDESTAL,PACIFIC BLUE	343
39847102	CAP, LIFT PEDESTAL, LOWER,PACIFIC B	344
12515101	CLAMP, CABLE, BLACK, RELEASABLE ON	351
HCCN031100	SCREW, HEX, GR 5, 5/16-18 X 1.0, ZN	353
37385101	BRACKET, TENSIONER	355
37855103	TAB, LOCKING	356
HACN025250	SCREW,1/4-20X2-1/2,HEX,GR 2,ZN	357
PKCN019050	SCREW,S/T,#10X1/2,WSHHXHD,ZN	359
WRCN038011	WASHER,GRADE 8,3/8,13/32 ID,13/16OD	362
39746102	SHIELD, TARGA REAR, SILVER GRAY	363
39745103	SHIELD,TARGA FRONT, SILVER GRAY	364
49722104	AXLE,WHEEL,EFX	366
12716101	CABLE CLIP, DIE COMPANY	367
PMTN016150	SCREW, SELF TAPPING,#8 X 1.50, PHIL	368
10136103	CLIP,U TYPE, TINNERMAN, 1/4-20	369
<b>AEHN050004</b>	E-RING,.50 DIA X .042 THICK	374
58100101	KIT, FRAME, COVERS, EFX	378
PMTN016050	SCREW,TCS,#8X1/2,PHIL,BLK SHARPERIZ	461
12103101	CLAMP,CABLE,VINYL COATED	462
KNCN019013	NUT,HEX,10-32,ZINC	464



48133015	ASSY,CBL,2C,HIGH TEMP,16AWG,#10 RIN	465
47002102	CAP, TUBE, PLASTIC, ROUND, 1.625 DI	501
47001101	SHAFT, LINK BUSHING, 556I	503
<b>WCCN038008</b>	WASHER, FLT, 3/8X1.00X.083	504
HCCE038150	SCREW,HEX,GR 5,3/8-16X1 1/2,ZN,LK	505
CAMN038100	SCREW, SKHD, 3/8-16 X 1, ZN, (MECH	506
<b>MACCN025062</b>	MACHINE SCREW, 1/4-20, [FLAT HEAD,	904
47002102	CAP, TUBE, PLASTIC, ROUND, 1.625 DI	905
39842102	CAP, HANDLEBAR PIVOT, SILVER GRAY	906
<b>WBCN031007</b>	WASHER,FLT,5/16X.688X.065, ZN	907
47001101	SHAFT, LINK BUSHING, 556I	908
HCCN038125	SCREW,HEX,GR 5,3/8-16X1-1/4, ZN	909
CFMN031125	SCREW, SKHD, 5/16-18 X 1.25, ZN,(ME	910
PMTN016150	SCREW, SELF TAPPING,#8 X 1.50, PHIL	911
TAMN031100	SCREW,BTHD,5/16-18X1, ZN (MECH PLAT	912
<b>WCCN038008</b>	WASHER, FLT, 3/8X1.00X.083	913
39834107	CAP,PIVOT AXLE, LH, C556I, SILVER G	914
39834108	CAP,PIVOT AXLE, RH, C556I, SILVER G	915
MGCN016075	SCREW,MCH,8-32X3/4,PANHD,PHIL,	916
<b>WALCN031008</b>	WASHER, 5/16 SPLIT LOCK, ZINC	917
300764241	LITERATURE KIT, EFX, FXD RAMP / MVB	999